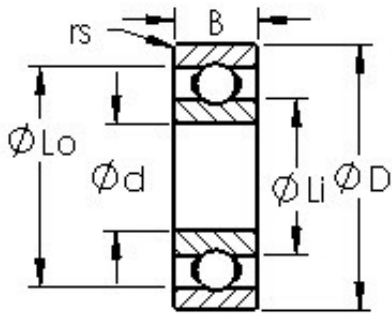




ISO BEARING-SINGAPORE (PTE)LTD.



AST 6015 deep groove ball bearings

Bearing No. 6015

Size	75x115x20 mm
Bore Diameter	75 mm
Outer Diameter	115 mm
Width	20 mm
Bearing Type	Open
Bore Dia (d)	75.0000
Outer Dia (D)	115.0000
Width (B)	20.0000
Radius (min) (rs)	1.100
Dynamic Load Rating (Cr)	39,600
Static Load Rating (Cor)	33,500
Max Speed (Grease) (X1000 RPM)	6
Max Speed (Oil) (X1000 RPM)	7
Max. Shaft Shoulder Dia. Inner (Li)	85.5
Min. Housing Shoulder Dia., Outer (Lo)	108.5
Ball Qty	15
Ball Dia (Dw)	11.9060
Weight (g)	638.00
Precision	A1
Standard Clearance	C0
Material	52100 Chrome steel (or equivalent)

6015 Bearing 2D drawings and 3D CAD models