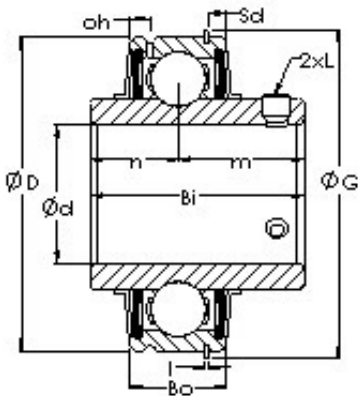




# ISO BEARING-SINGAPORE (PTE)LTD.



## AST ER211-35 bearing units

Bearing No. ER211-35

Bore Diameter	55,56 mm
Outer Diameter	100 mm
Bearing Type	Inch Size Bore Diameter
Bore Dia (d)	55.5600
Outer Dia (D)	100.0000
Outer Width (Bo)	30.0000
Inner Width (Bi)	55.6000
Dynamic Load Rating (Cr)	43,332
Static Load Rating (Cor)	29,410
Bearing Inner Race Width - Short Side (n)	22.2000
Bearing Inner Race Width - Extended Side (m)	33.4000
Bearing Collar Set Screw (L) - 3/8-24UNF	3/824UNF
Snap Ring Dia. (G)	106.3000
Snap Rinf Location (Sd)	3.2000
Snap Ring Thickness (I)	2.4000
Relubrication Hole Location (oh)	7.5000
Shaft Size (ds) - 2-3/16	23/16
Weight (g)	1,410.67

ER211-35 Bearing 2D drawings and 3D CAD models