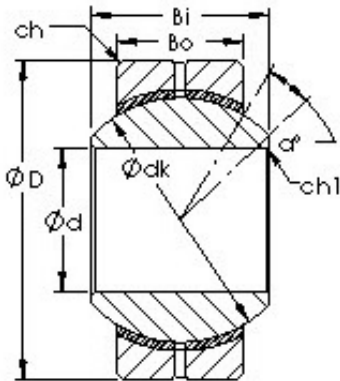




# ISO BEARING-SINGAPORE (PTE)LTD.



## AST GEBK8S plain bearings

Bearing No. GEBK8S

Bore Diameter	8 mm
Outer Diameter	22 mm
Bearing Type - bronze-on-steel radial	bronzeonsteel radial
Bore Dia (d)	8.0000
Outer Dia (D)	22.0000
Outer Width (Bo)	9.0000
Inner Width (Bi)	12.0000
Dynamic Load Rating (Cr)	6,800
Static Load Rating (Cor)	16,000
Max. shaft corner radius, or 45 deg. chamfer (ch1)	0.300
Max. housing corner radius, or 45 deg. chamfer (ch)	0.300
Spherical Diameter (dk or Dk)	15.880
Mis-alignment Angle (a deg.)	14
Weight (g)	24.00
Material - Outer ring - Carbon steel with bronze liner, Inner ring	52100 chrome steel or equivalent with hard chrome plating

GEBK8S Bearing 2D drawings and 3D CAD models