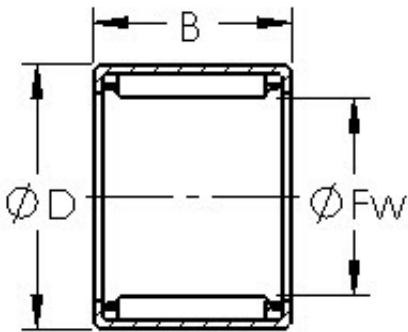




# ISO BEARING-SINGAPORE (PTE)LTD.



SCE1616 Bearing 2D drawings and 3D CAD models

## AST SCE1616 needle roller bearings

Bearing No. SCE1616

Bore Diameter	25,4 mm
Outer Diameter	31,75 mm
Width	25,4 mm
Bearing Type	Cage Retained Rollers
Outer Dia (D)	1.2500
Width (B)	1.0000
Dynamic Load Rating (Cr)	5,600
Static Load Rating (Cor)	10,200
Max Speed (Grease) (X1000 RPM)	11,000
Shaft (Fw)	1.000
Weight (g)	38.00
Material - Drawn cup: Hardened carbon steel alloy, Rollers	52100 Chrome steel or equivalent