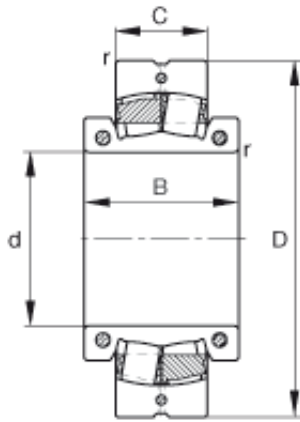




ISO BEARING-SINGAPORE (PTE)LTD.



280 mm x 460 mm x 176 mm FAG 230SM280-MA spherical roller bearings

Bearing No. 230SM280-MA

Size	280x460x118 mm
Bore Diameter	280 mm
Outer Diameter	460 mm
Width	118 mm
d	280 mm
D	460 mm
C	118 mm
B	176 mm
r_{\min}	4 mm
m	97 kg / Weight
C_r	1600000 N / Dynamic load rating (radial)
e	0,22
Y_1	3,04
Y_2	4,53
C_{0r}	2800000 N / Static load rating (radial)
Y_0	2,97
n_G	590 1/min / Limiting speed
C_{ur}	228000 N / Fatigue limit load, radial
$F_{a \max}$	32000 N / Permissible axial load, for inner ring without axial abutment
M_i	120 Nm / Tightening torque per clamping screw

230SM280-MA Bearing 2D drawings and 3D CAD models



ISO BEARING-SINGAPORE (PTE)LTD.

M_a	69 Nm / Tightening torque per clamping screw
	23060K / Designation, spherical roller bearing, unsplit
	H3060 / Adapter sleeve