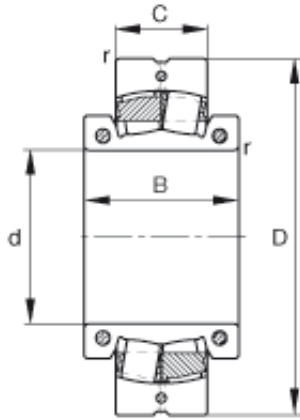




ISO BEARING-SINGAPORE (PTE)LTD.



320 mm x 620 mm x 230 mm FAG 222SM320-MA spherical roller bearings

Bearing No. 222SM320-MA

222SM320-MA Bearing 2D drawings and 3D CAD models

Size	320x620x165 mm
Bore Diameter	320 mm
Outer Diameter	620 mm
Width	165 mm
d	320 mm
D	620 mm
C	165 mm
B	230 mm
r_{\min}	6 mm
m	249 kg / Weight
C_r	3100000 N / Dynamic load rating (radial)
e	0,24
Y_1	2,76
Y_2	4,11
C_{0r}	4750000 N / Static load rating (radial)
Y_0	2,7
n_G	450 1/min / Limiting speed
C_{ur}	270000 N / Fatigue limit load, radial
$F_{a \max}$	60000 N / Permissible axial load, for inner ring without axial abutment
M_i	295 Nm / Tightening torque per clamping screw



ISO BEARING-SINGAPORE (PTE)LTD.

M_a	120 Nm / Tightening torque per clamping screw
	22268K / Designation, spherical roller bearing, unsplit