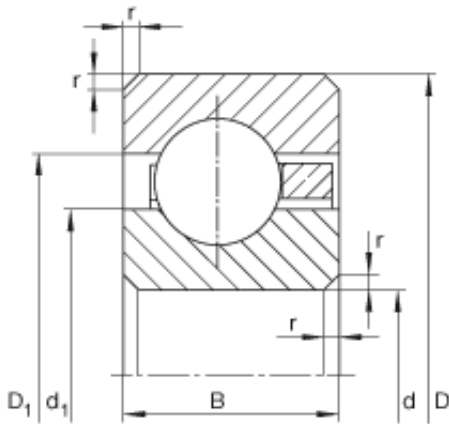




## ISO BEARING-SINGAPORE (PTE)LTD.

9 inch x 254 mm x 12,7 mm INA CSCD090  
deep groove ball bearings

Bearing No. CSCD090



CSCD090 Bearing 2D drawings and 3D CAD models

Size	228.6x254x12.7 mm
Bore Diameter	228,6 mm
Outer Diameter	254 mm
Width	12,7 mm
d	228,6 mm
d	9 inch
D	254 mm
B	12,7 mm
D <sub>1</sub>	244,6 mm
d <sub>1</sub>	238 mm
r <sub>min</sub>	1,5 mm
m	0,78 kg / Weight
C <sub>r</sub>	16400 N / Dynamic load rating (radial)
C <sub>0r</sub>	26000 N / Static load rating (radial)