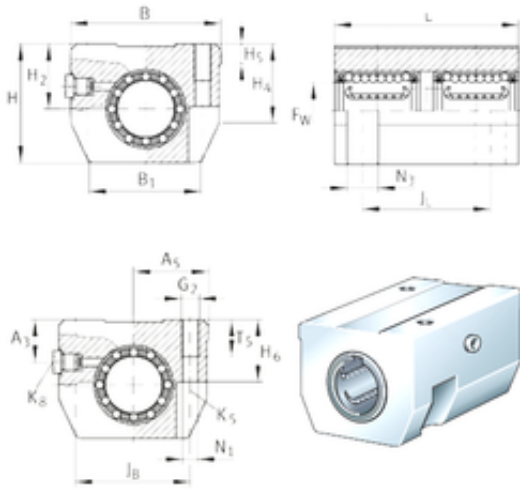




ISO BEARING-SINGAPORE (PTE)LTD.



INA KTHK20-B-PP-AS bearing units

Bearing No. KTHK20-B-PP-AS

Bore Diameter	20 mm
Fw	20 mm
H4	29,8 mm
H5	7,4 mm
H6	22 mm
A5	26,5 mm
Thread (K)	M5
B	53 mm
B1	40 mm
H	42,5 mm
H2	23 mm
L	65 mm
N1	5,3 mm
T	13 mm
A3	15 mm
N2	11 mm
Thread (G2)	M6
JB	40 mm
JL	45 mm
Weight	0,32 Kg
Basic dynamic load rating (C)	1,8 kN

KTHK20-B-PP-AS Bearing 2D drawings and 3D CAD models