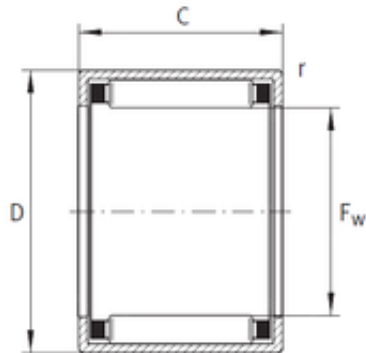




ISO BEARING-SINGAPORE (PTE)LTD.

INA SCE107 – 1/2 needle roller bearings



Bearing No. SCE107 – 1/2

Size	15.875x20.638x11.91 mm
Bore Diameter	15,875 mm
Outer Diameter	20,638 mm
Width	11,91 mm
Fw	15,875 mm
D	20,638 mm
C	11,91 mm
Weight	0,008 Kg
Basic dynamic load rating (C)	7,1 kN
Basic static load rating (C0)	10,3 kN

SCE107 – 1/2 Bearing 2D drawings and 3D CAD models