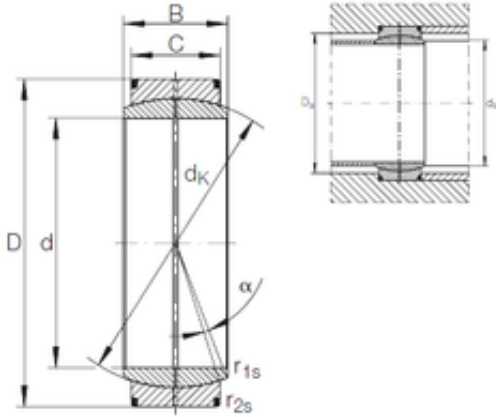




ISO BEARING-SINGAPORE (PTE)LTD.

1000 mm x 1320 mm x 438 mm INA GE 1000
DO plain bearings



Bearing No. GE 1000 DO

Size	1000x1320x438 mm
Bore Diameter	1000 mm
Outer Diameter	1320 mm
Width	438 mm
d	1000 mm
D	1320 mm
B	438 mm
C	370 mm
dk	1160 mm
r1 min.	4 mm
r2 min.	7,5 mm
da max	1074,1 mm
Da min	1105 mm
Angle	3,5 °
Weight	1742 Kg
Basic dynamic load rating (C)	40,5 kN

GE 1000 DO Bearing 2D drawings and 3D CAD models