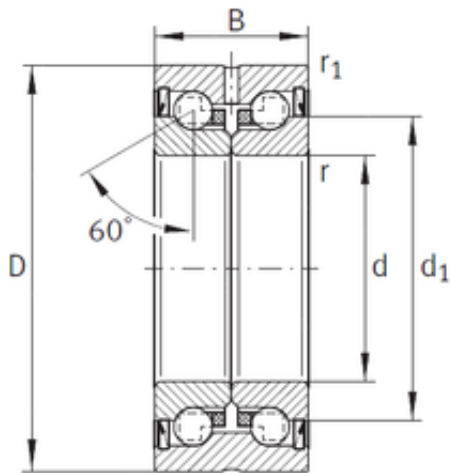




# ISO BEARING-SINGAPORE (PTE)LTD.



100 mm x 160 mm x 55 mm INA  
ZKLN100160-2Z thrust ball bearings

Bearing No. ZKLN100160-2Z

ZKLN100160-2Z Bearing 2D drawings and 3D CAD models

Size	100x160x55 mm
Bore Diameter	100 mm
Outer Diameter	160 mm
Width	55 mm
d	100 mm
D	160 mm
B	55 mm
C	55 mm
Angle (?)	60 °
d1	132 mm
r min.	0,6 mm
r1 min.	0,6 mm
Weight	4,9 Kg
Basic dynamic load rating (C)	140 000 kN
Basic static load rating (C0)	435 000 kN
Category	Angular Contact Ball Bearings
Inventory	0.0
Manufacturer Name	SCHAEFFLER GROUP
Minimum Buy Quantity	N/A
Weight / Kilogram	4.9
EAN	4012802589436
Product Group	B00152
Enclosure	2 Metal Shields
Flush Ground	No



## ISO BEARING-SINGAPORE (PTE)LTD.

Rolling Element	Ball Bearing
Number of Rows of Balls	Double Row
Precision Class	ABEC 1   ISO P0
Maximum Capacity / Filling Slot	No
Snap Ring	No
Cage Material	Plastic
Contact Angle	60 Degree
Internal Clearance	C0-Medium
Number of Bearings	1 (Single)
Inch - Metric	Metric
Long Description	100MM Bore; 160MM Outside Diameter; 55MM Width; 2 Metal Shields; No Flush Ground; Ball Bearing; Double Row of Balls; ABEC 1   ISO P0; No Filling Slot; No Snap Ring; C0-Medium; Plastic Cage; 60 Degree;
Other Features	With Fixing Holes
Category	Angular Contact Ball Bearing
UNSPSC	31171531
Harmonized Tariff Code	8482.10.50.28
Noun	Bearing
Keyword String	Angular Contact
Manufacturer URL	<a href="http://www.ina.com">http://www.ina.com</a>
Weight / LBS	10.80264
Width	2.165 Inch   55 Millimeter
Outside Diameter	6.299 Inch   160 Millimeter
Bore	3.937 Inch   100 Millimeter