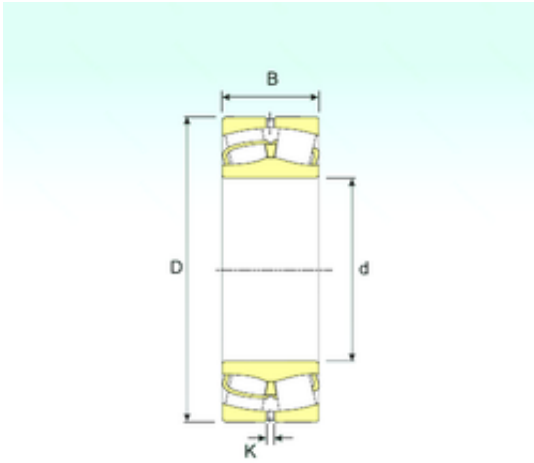




ISO BEARING-SINGAPORE (PTE)LTD.



1060 mm x 1500 mm x 438 mm ISB 240/1060
spherical roller bearings

Bearing No. 240/1060

Size	1060x1500x438 mm
Bore Diameter	1060 mm
Outer Diameter	1500 mm
Width	438 mm
d	1060 mm
D	1500 mm
B	438 mm
C	438 mm
K	12 mm
Weight	2515 Kg
Basic dynamic load rating (C)	16954 kN
Basic static load rating (C0)	44590 kN
(Grease) Lubrication Speed	187,2 r/min

240/1060 Bearing 2D drawings and 3D CAD models