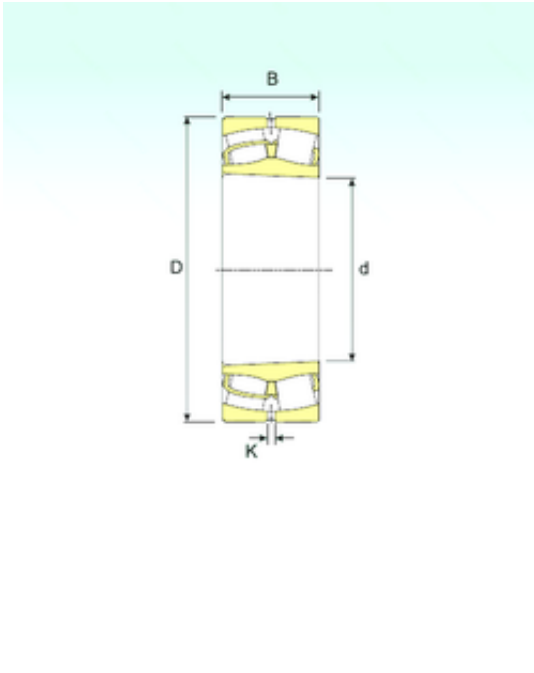




ISO BEARING-SINGAPORE (PTE)LTD.



23032 K Bearing 2D drawings and 3D CAD models

160 mm x 240 mm x 60 mm ISB 23032 K
spherical roller bearings

Bearing No. 23032 K

Size	160x240x60 mm
Bore Diameter	160 mm
Outer Diameter	240 mm
Width	60 mm
d	160 mm
D	240 mm
B	60 mm
C	60 mm
K	6 mm
Weight	9,7 Kg
Basic dynamic load rating (C)	573 kN
Basic static load rating (C0)	862 kN
(Grease) Lubrication Speed	2295 r/min