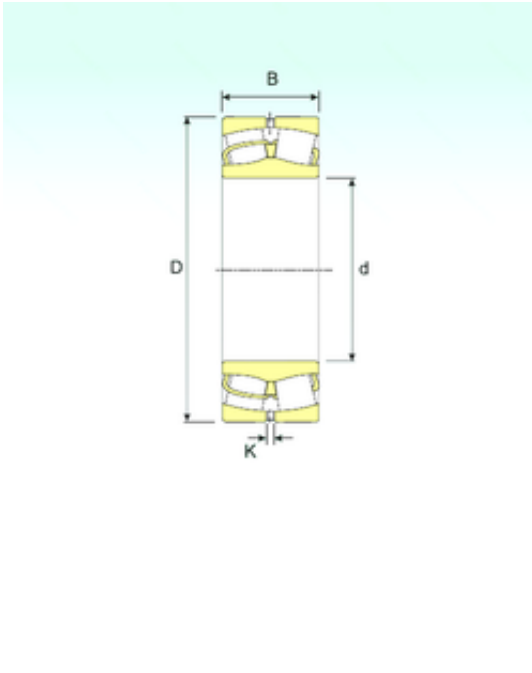




# ISO BEARING-SINGAPORE (PTE)LTD.



22352 Bearing 2D drawings and 3D CAD models

260 mm x 540 mm x 165 mm ISB 22352  
spherical roller bearings

Bearing No. 22352

Size	260x540x165 mm
Bore Diameter	260 mm
Outer Diameter	540 mm
Width	165 mm
d	260 mm
D	540 mm
B	165 mm
C	165 mm
K	12 mm
Weight	190 Kg
Basic dynamic load rating (C)	3479 kN
Basic static load rating (C0)	4459 kN
(Grease) Lubrication Speed	841,5 r/min