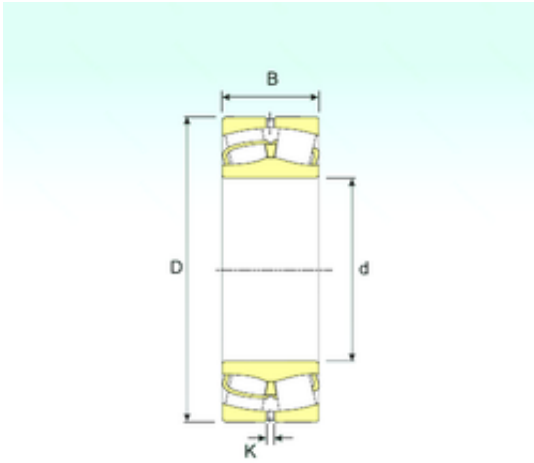




ISO BEARING-SINGAPORE (PTE)LTD.



24172 Bearing 2D drawings and 3D CAD models

360 mm x 600 mm x 243 mm ISB 24172
spherical roller bearings

Bearing No. 24172

Size	360x600x243 mm
Bore Diameter	360 mm
Outer Diameter	600 mm
Width	243 mm
d	360 mm
D	600 mm
B	243 mm
C	243 mm
K	9 mm
Weight	280 Kg
Basic dynamic load rating (C)	5488 kN
Basic static load rating (C0)	9114 kN
(Grease) Lubrication Speed	612 r/min